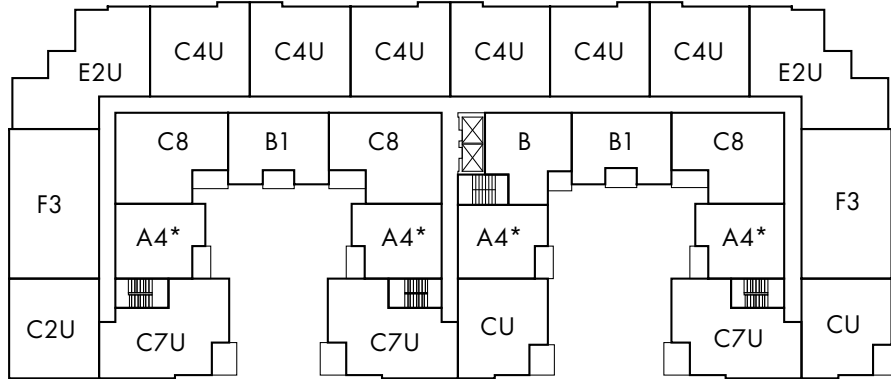


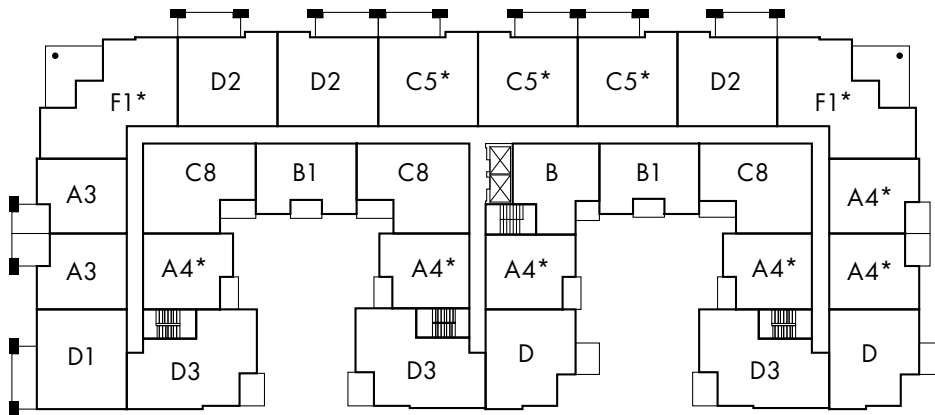
WEST BUILDING

50

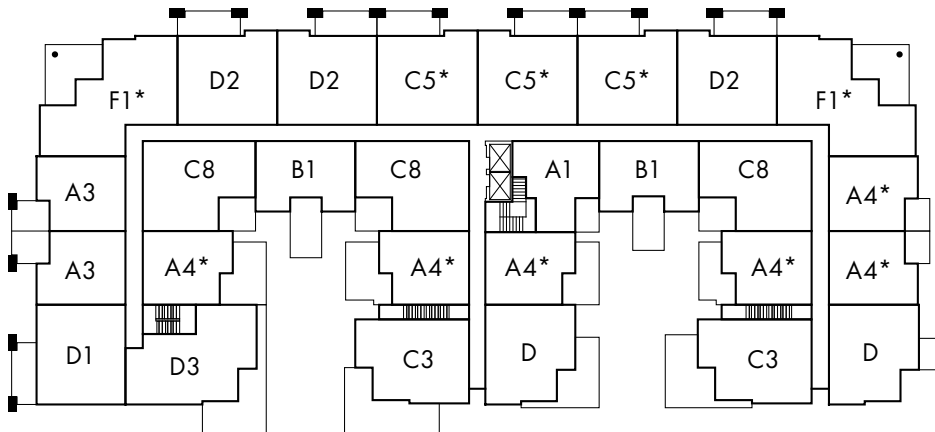
ELECTRONIC AVENUE
PORT MOODY



LEVEL 6 WEST BUILDING



LEVEL 3-5 WEST BUILDING



LEVEL 2 WEST BUILDING



* INDICATES ADAPTABLE PLAN

The material provided herein is for general information purposes only and is not intended to depict as-built construction designs. The developer reserves the right in its sole discretion to make modifications or changes to the building design, floor plans, specifications, finishes, features, prices, materials, equipment (including appliances) and dimensions. Renderings and images are artistic concepts only. Dimensions are approximate and have been calculated from architectural plans. Actual final dimensions of construction may vary from those set out herein. As reverse, flipped and/or mirrored plans occur throughout the development please see architectural plans if this is material to your decision to purchase. Please see disclosure statement for specific offering details. E.&O.E.